

Apex

The first spring-roller screen with automatic ceiling closure.

The APEX is the first manually operated screen expressly designed for concealed installation. Extruded aluminum case installs above the ceiling.

The APEX features a white closure panel at the bottom of the screen surface which seals the ceiling opening when the screen is retracted. Trim flange surrounds the perimeter of the screen case to finish the installation, whether in a suspended or drywall ceiling. Bottom of case and closure are finished in ceiling white.

Your choice of a conventional viewing surface: fiberglass matt white, glass beaded or HIGH CONTRAST GREY.



System Options

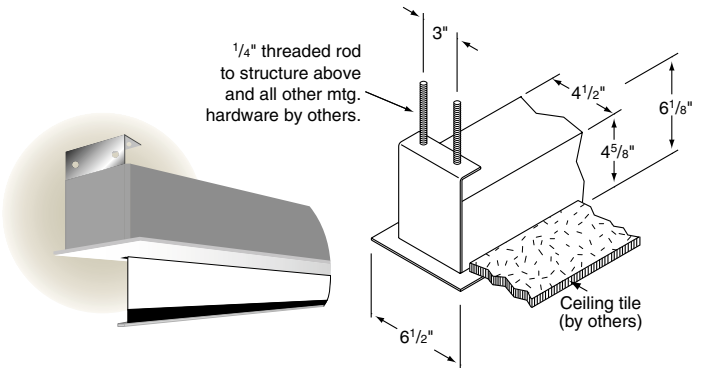
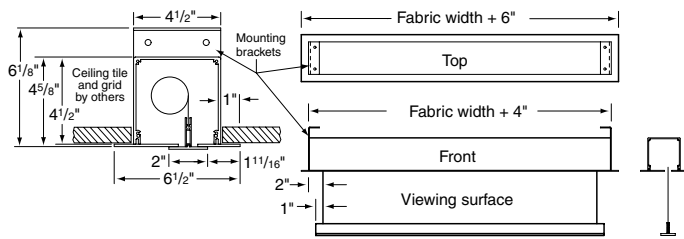
- **Extra Drop**—Up to 8' overall height, either surface color or black. (Surface color is standard in AV format, black for all other formats.)
- **Black Masking Borders**—Borders are optional for APEX in AV format. They are standard for all other formats.
- **Control Options**—Aluminum operating pole is furnished in one of two sizes: 4' and 6' as required.

(Above) Apex screens installed at Unocal, Stafford, TX. Dealer: CCS Presentation Systems, Houston, TX. Photography: Barry Champagne, Houston, TX.

(Right) Apex screens closed. Aluminum operating pole is furnished in one of two sizes: 4' or 6'.

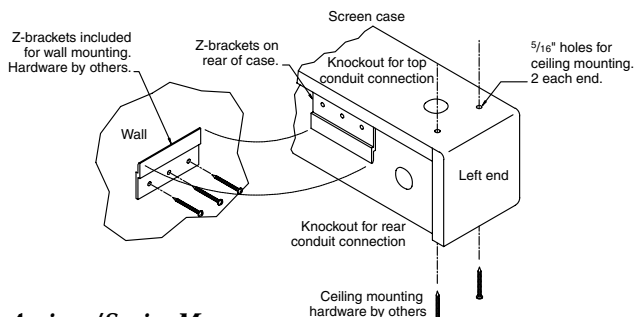


Apex Case Dimensions/Method of Installation

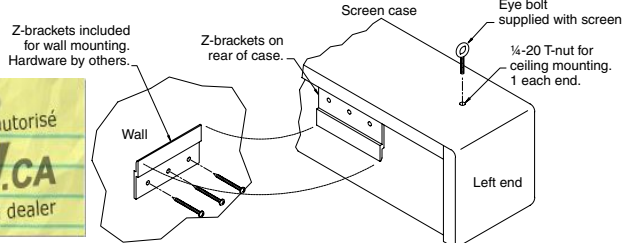


Artisan Method of Installation

Artisan/Series E & V



Artisan/Series M



Dimensions & Data—Apex

AV Format			AV Format		
Size H x W	Case Length	Net Wt. (lbs.)	Size H x W	Case Length	Net Wt. (lbs.)
50" x 50"	53½"	25	84" x 84"	87½"	40
60" x 60"	63½"	29	72" x 96"	100"	47
70" x 70"	73½"	35	96" x 96"	100"	50
Nominal Diagonal	Image Area H x W	Overall Size	Case Length	Net Wt. (lbs.)	
NTSC Video Format (4:3)					
6'	42½" x 56½"	46½" x 59½"	63½"	29	
7'	50" x 66½"	53½" x 69½"	73½"	35	
100"	60" x 80"	64" x 83½"	87½"	40	
10'	69" x 92"	73" x 96"	100"	48	
HDTV Format (16:9)					
6'	45" x 80"	57" x 83½"	87½"	29	
7'	52" x 92"	64" x 69"	100"	35	

The bottom cover includes a flange to finish the ceiling opening. Add 2" to case lengths in chart for overall length including this trim.

